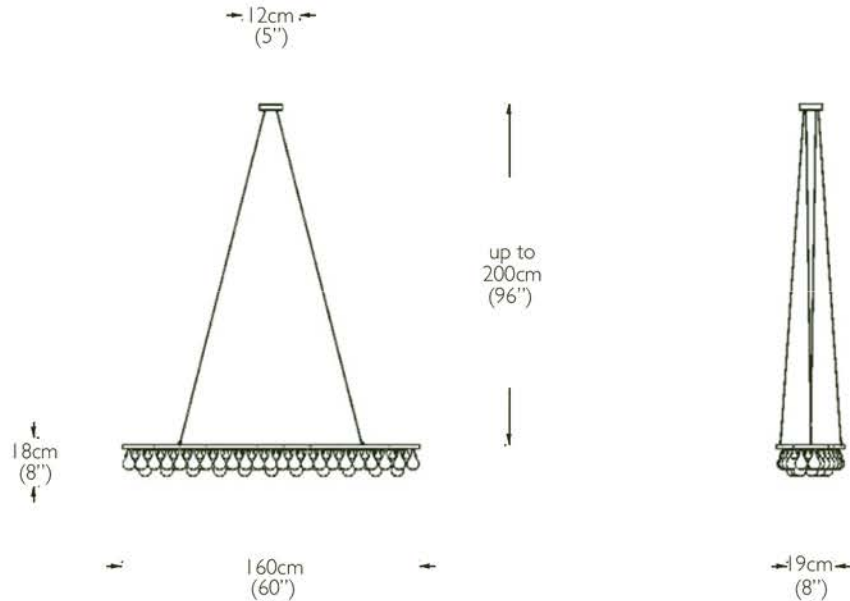


OCHRE



colours shown are a general indication of the actual finish
 polished nickel
 patinated bronze



- dimensions: canopy - 12cm diam (5" diam)
 overall - 160cm w x 19cm d x 18cm h (60" w x 8" d x 8" h)
 overall depth including curve is approx 28cm (11")
- light source: 10x E14 (EU/UK), 7x E12 (US) bulb holders, screw fitting
 bulbs not supplied, dimmable golf ball shape recommended
 max 60 watts per bulb
- wiring: clear (UL listed)
- installation: 4x tension wires adjustable up to 2m (96"), with ceiling canopy matching frame finish
 it is advisable to measure from ceiling to top of chandelier in case longer wires are required
 qualified electrician necessary for installation
- weight: approx 34kg (75lbs)
- lead time: 10 - 12 weeks if not in stock
- also available: double wave 200cm w x 19cm d x 18cm h (78" w x 8" d x 8" h)
- light source: 12x E14 (EU/UK), 10x E12 (US) bulb holders, screw fitting
- weight: approx 41kg (90lbs)
- light source: single wave 100cm w x 19cm d x 18cm h (40" w x 8" d x 8" h)
- weight: 5x E14 (EU/UK), E12 (US) bulb holders, screw fitting
 approx 20kg (44lbs)
 custom sizes available - please enquire

arctic pear chandelier single and double wave

patinated bronze or polished nickel frame with clear or mercury grey glass drops, single tier with additional drops on central channel