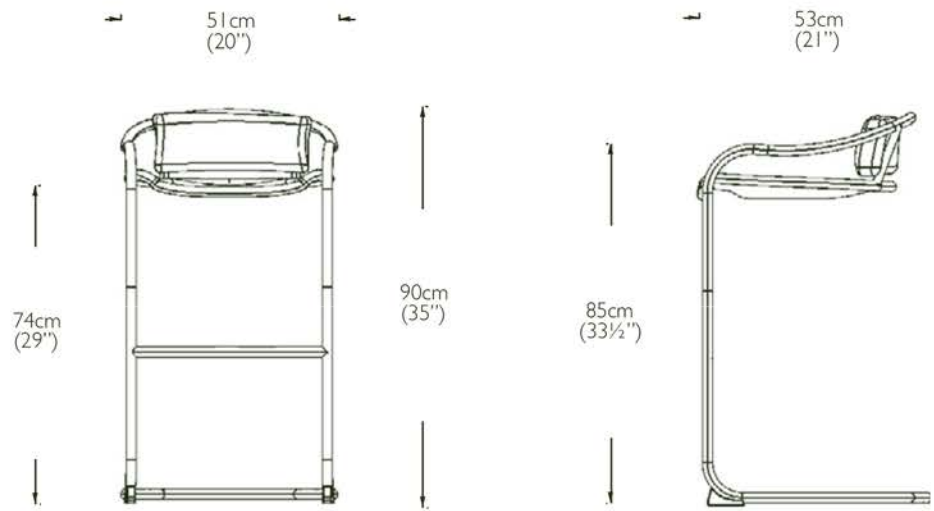


OCHRE





dimensions: overall - 51cm w x 53cm d x 90cm h (20" w x 21" d x 35" h)

seat height - 74cm (29")

arm height - 85cm (33½")

leather covered front stoppers

cushions: detachable matching nubuck back cushion

weight: approx 10kg (22lbs)

lead time: 10 - 12 weeks

also available: overall - 51cm w x 53cm d x 80cm h (20" w x 21" d x 31" h)

seat height - 64cm (25")

arm height - 75cm (29½")

weight: approx 10kg (22lbs)

leather colour can vary from hide to hide and will change naturally over time based on use and exposure to sunlight • hides are selected from the finest leathers with natural variations in colour, veining, marks and scars • such characteristics should therefore not be considered as faults • this is a natural, unfinished leather which has a silky soft feel and should be treated with care as it can bruise if it comes into contact with hard or sharp objects

## caribou bar stool 74cm and 64cm

metal frame wrapped in the finest saddle leather with slung leather seat and open corners, brass footbar