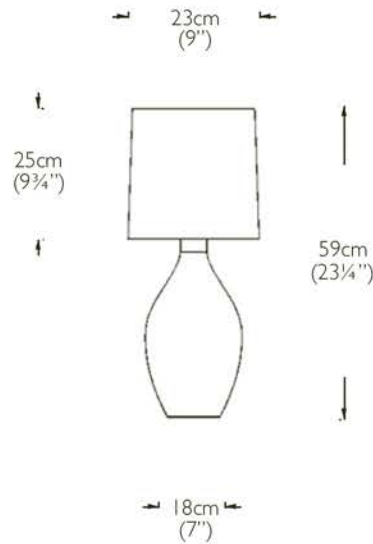


OCHRE





- dimensions: base - approx 18cm diam x 36.5cm h (approx 7" diam x 14½" h)
 shade - 23cm top diam x 25cm base diam x 25cm h
 (9" top diam x 9¾" base diam x 9¾" h)
 overall height - 59cm (23¼")
- shade: lined soft silk (as shown) or vertically gathered silk
- light source: 1x E27 (EU/UK), E26 (US) bulb holder, screw fitting
 bulbs not supplied, max 60 watts per bulb
- wiring: white twisted silk (EU/UK), clear flex (US)
 length - 2m (80") from bulb holder
 white cord switch 25cm (10") from base
- weight: approx 2kg (4½lbs)
- lead time: 10 - 12 weeks if not in stock
- also available: cherub overall - 23cm diam x 71cm h (9" diam x 28" h)
 shade - 28cm top diam x 30cm base diam x 30cm h
 (11" top diam x 11¾" base diam x 11¾" h)
- light source: 1x E27 (EU/UK), E26 (US) bulb, screw fitting
- weight: approx 3.5kg (8lbs)

cherub medio and cherub lamp

traditionally blown glass base in smoke, amethyst or clear with polished nickel fittings